

Topdrain 1000

Onderdelenboek
Spare parts list
Ersatzteilekatalog



Copyright © **Imants® BV**

Imants® BV behoudt zich het recht voor om onderdelen op elk gewenst moment te wijzigen, zonder voorafgaande of directe kennisgeving aan de afnemer.

De inhoud van dit document kan eveneens worden gewijzigd zonder voorafgaande waarschuwing.

Voor informatie over instelling, onderhoudswerkzaamheden of reparaties waarin dit document niet voorziet, wordt u verzocht contact op te nemen met de technische dienst van uw leverancier.

Dit document is met alle mogelijke zorg samengesteld. **Imants® BV** kan echter geen verantwoordelijkheid op zich nemen voor eventuele fouten in deze uitgave of de gevolgen daarvan.

Alle rechten voorbehouden. Niets uit deze uitgave mag worden veeelvoudigd, of opgeslagen in een geautomatiseerd gegevensbestand, of openbaar worden gemaakt in enige vorm of wijze, hetzij elektronisch, mechanisch, door fotokopieën opnamen of enig andere manier, zonder voorafgaande schriftelijke toestemming van **Imants® BV**. Dit geldt ook voor de bijbehorende tekeningen en schema's.

Copyright © **Imants® BV**

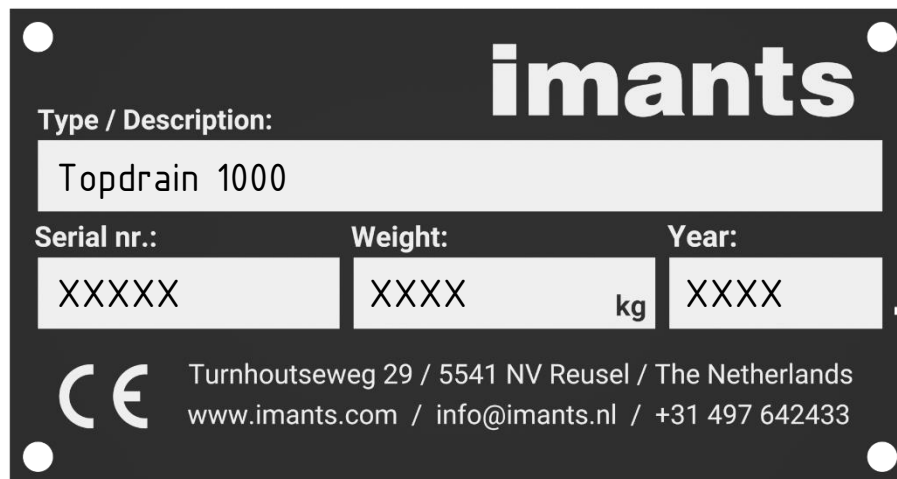
Imants® BV reserves the right to alter parts at any desired moment, without prior or direct notification to the purchaser.

The contents of this document may equally be amended without prior warning.

For information about settings, maintenance work or repair that this document does not cover, you are recommended to contact your supplier's service department.

This document has been prepared with all possible care. **Imants® BV** cannot however accept any responsibility for any errors in this document or any consequences these may have.

All rights reserved. Nothing in this document may be duplicated, stored in an automated database, or made public, in any form or way, whether electronic, mechanical, by photocopying, recording or in any other way, without prior written permission from **Imants® BV**. This also applies to the associated drawings and diagrams.



*Figuur/Figure/Figur 1: Typeplaat – Name plate – Namenschild
(Algemene afbeelding – Generic image – Generisches Bild)*



Bewaar de gegevens van uw typeplaat goed. Indien u vragen heeft over uw Topdrain 1000 of een onderdeel wilt bestellen, kunnen wij u met uw specifieke gegevens snel en doelgericht helpen.

Voor vragen, service of onderdelen neem contact op met uw lokale dealer/verdelers.



Lees de inhoud van dit document zorgvuldig en volledig. Nalatigheid hierin kan leiden tot ernstige letsels of schade aan de Topdrain 1000. Bewaar dit document goed. Zorg er altijd voor dat iedereen die werkt met de Topdrain 1000 of hieraan onderhoud uitvoert, de inhoud van dit document kent en begrijpt.



Dit onderdelenboek bevat alle mogelijke machineconfiguraties, opties en slijtdelen van de Topdrain 1000. Het is mogelijk dat sommige exploded views niet van toepassing zijn op uw machine.



Preserve the information of your name plate well. With this information we can help you quickly and accurately, in case of questions about your Topdrain 1000 or when ordering a part.

For questions, service or parts, please contact your local dealer/distributor.



Read the contents of this document carefully and completely. Negligence of this can lead to severe injury or damage to your Topdrain 1000. Preserve this document well. Always make sure that every operator or mechanic of the Topdrain 1000 knows and understands the contents of this document.



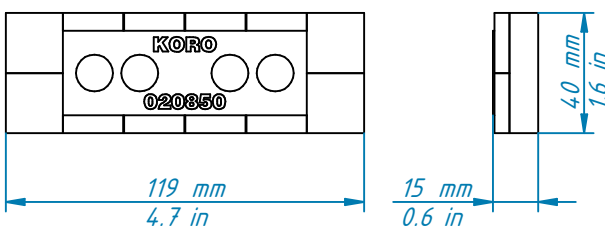
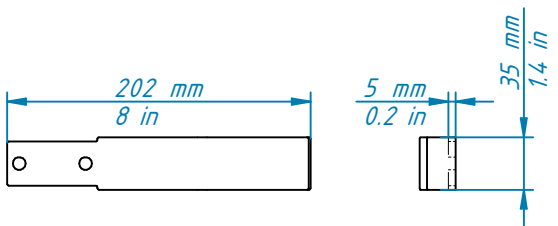
This spare parts list contains all possible machine configurations, options and wear parts for the Topdrain 1000. It is possible that some exploded views do not apply to your machine.

§1. Slijtdelen - Wear parts - Versleißteile

De standaard en optionele slijtdelen voor uw Topdrain 1000 staan weergegeven in onderstaande tabellen. De hoeveelheid wordt weergegeven in de exploded view dat het onderdeel bevat.

The standard and optional wear parts for your Topdrain 1000 are listed in the tables below. The quantity is listed in the exploded view that contains that part.

Die Standard und optionale Versleißteile von ihre Topdrain 1000 sind angezeigt in die nachfolgende Tabellen. Die Menge ist angezeigt in die exploded view die die Teile enthält.

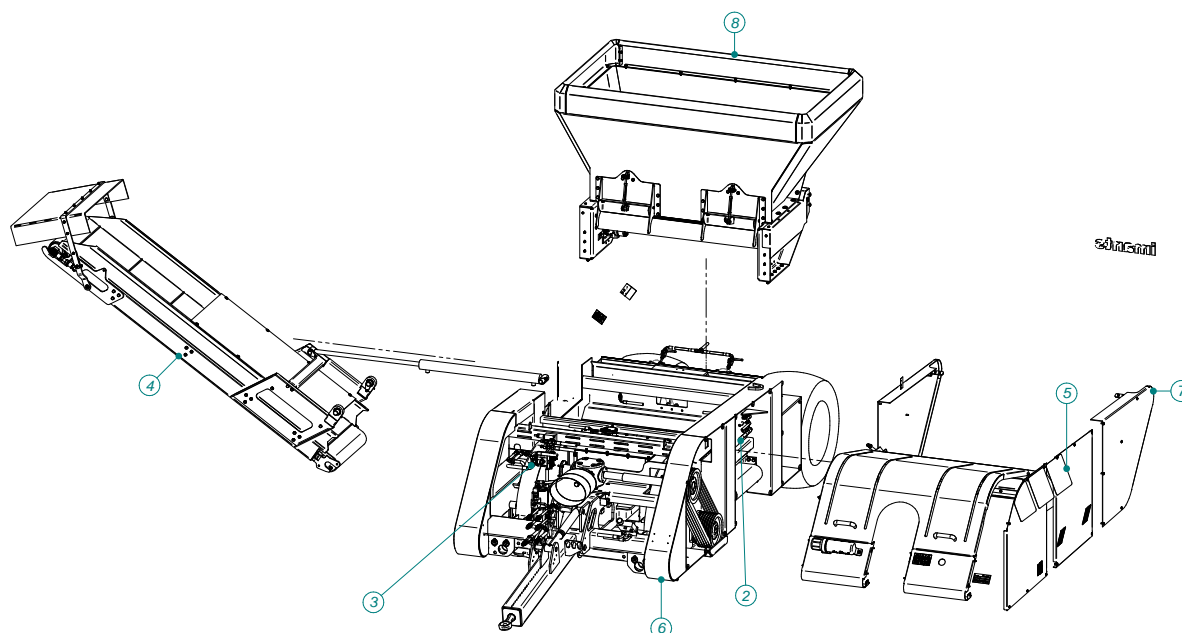
| Standaard/Standard/Standard: | |
|---|---|
| <p>BEITEL/TINE/SPITZE Art#: 020850</p>  <p>119 mm 4.7 in</p> <p>15 mm 0.6 in</p> <p>40 mm 1.6 in</p> <p><small>986-1166_BOP-6</small></p> | <p>ZANDLEPEL/SAND SCOOP/SANDLÖFFEL Art#: 986-1166</p>  <p>202 mm 8 in</p> <p>5 mm 0.2 in</p> <p>35 mm 1.4 in</p> <p><small>986-1166_BOP-2</small></p> |

| Optioneel/Optional/Optional: | |
|------------------------------|--|
| | |

§2. Onderdelen - Parts – Teile

Topdrain 1000//

imants
Digging the future

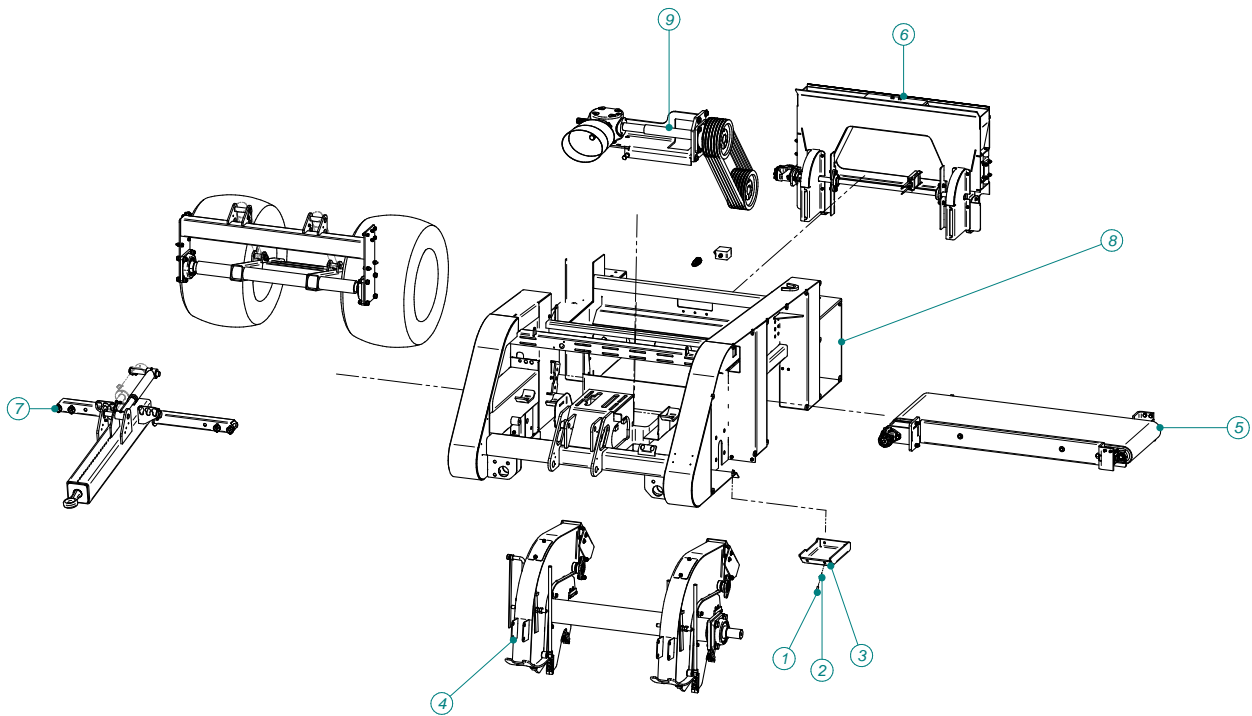


986A1002/0

| POS: | Art. #: | Qty: | Benaming: | Description: | Bezeichnung: | WP* | SP* |
|------|----------|------|----------------|-----------------------|---------------------|-----|-----|
| 1* | 033649 | 1 | AFTAKAS | PTO DRIVE SHAFT | ZAPFWELLE | | |
| 2 | 986-1599 | 1 | HYDRAULIEK | HYDRAULIC | HYDRAULIK | | |
| 3 | 986-1600 | 1 | HYDRAULIEK | HYDRAULIC | HYDRAULIK | | |
| 4 | 986-1637 | 1 | OPVOERBAND | CONVEYOR BELT | FÖRDER BAND | | |
| 5 | 986-1656 | 1 | STICKERSET | STICKER SET | AUFKLEBERSATZ | | |
| 6 | 986-1660 | 1 | FRAME | FRAME | RAHMEN | | |
| 7 | 986-1661 | 1 | AFSCHERMING | COVER | KAPPE | | |
| 8 | 986-1664 | 1 | ZANDBUFFER | SAND HOPPER | SANDVORRATSBEHÄLTER | | |
| 9* | 992-1148 | 1 | ONDERDELENBOEK | SPARE PARTS CATALOGUE | ERSATZTEILEBUCH | | |
| 10* | 993-1033 | 1 | SPEC.SHEET | SPEC. SHEET | DATENBLATT | | |
| 11* | 998-1013 | 1 | HANDLEIDING | USER MANUAL | BETRIEBSANLEITUNG | | |

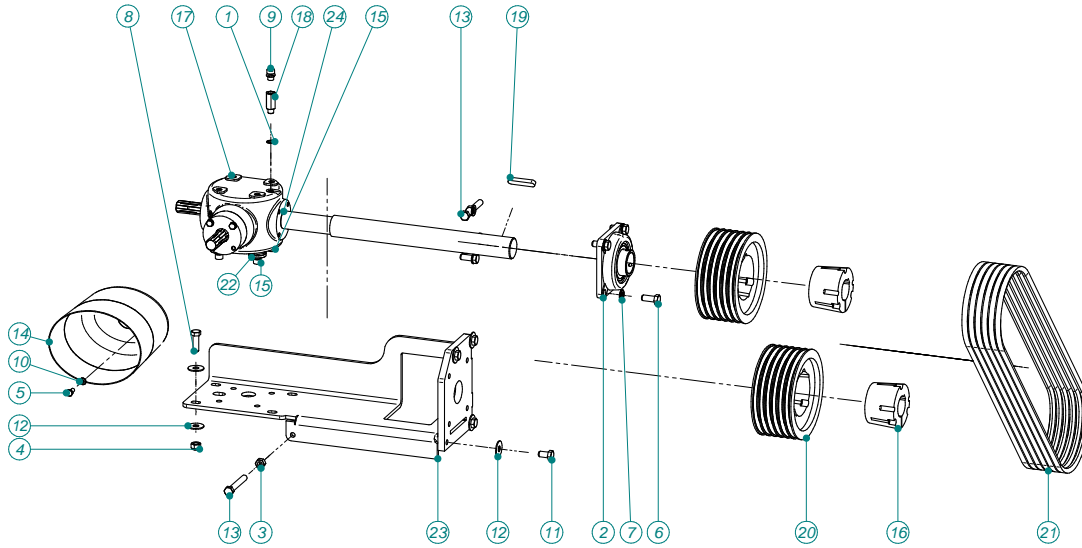
SE: 986A1002_EXP-0.dft

* WP: Wear Part, SP: Recommended Spare Part



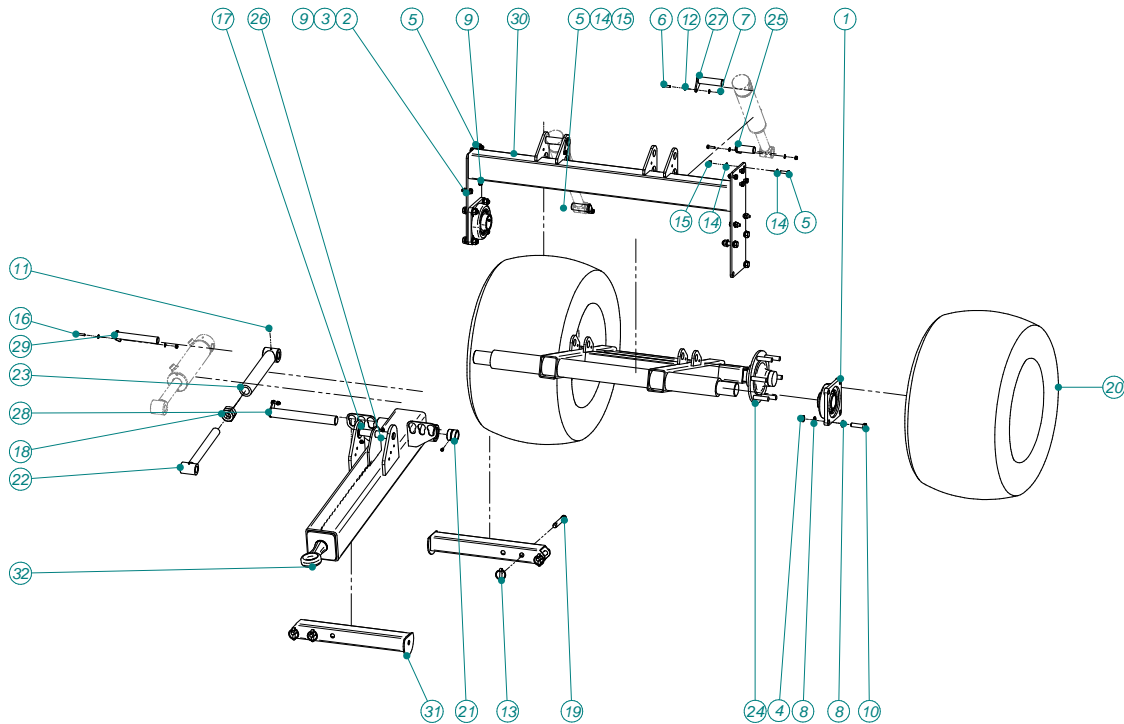
986-1660/0

| POS: | Art. #: | Qty: | Benaming: | Description: | Bezeichnung: | WP* | SP* |
|------|----------|------|------------------|---------------------|-----------------|-----|-----|
| 1 | 006356 | 8 | BOUT | BOLT | BOLZEN | | |
| 2 | 007994 | 8 | SLUITRING | WASHER | UNTERLEGSCHIEBE | | |
| 3 | 986-1608 | 2 | GLIJSLOF | WEAR PLATE | ABTRIEB PLATTE | | |
| 4 | 986-1611 | 1 | FREESROTOR | CUTTING ROTOR | FRÄSEWELLE | | |
| 5 | 986-1620 | 1 | DWARSBAND | CROSS CONVEYOR BELT | QUERFÖRDERBAND | | |
| 6 | 986-1621 | 1 | ZANDTOEVOER | SANDSUPPLY | SAND ZUFÜHRUNG | | |
| 7 | 986-1622 | 1 | DISSEL + WIESTEL | SWINGLE BAR + | SCHERDEICHSEL | | |
| 8 | 986-1652 | 1 | HOOFDFRAME | MAIN FRAME | HAUPTRAHMEN | | |
| 9 | 986-1653 | 1 | AANDRIJVING | DRIVE SECTION | ANTRIEB | | |



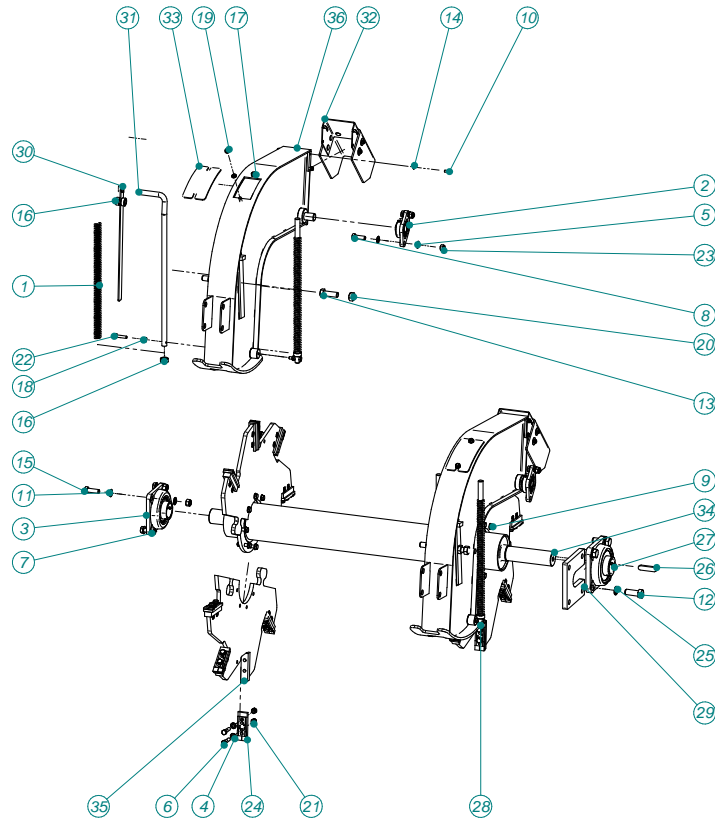
986-1653/0

| POS: | Art.#: | Qty: | Benaming: | Description: | Bezeichnung: | WP* | SP* |
|------|----------|------|-----------------|-----------------------|-----------------------|-----|-----|
| 1 | 000066 | 1 | RING | WASHER | SCHEIBE | | |
| 2 | 000840 | 1 | LAGERBLOK | BEARING HOUSING | LAGERGEHÄUSE | | V |
| 3 | 006291 | 3 | MOER | NUT | MUTTER | | |
| 4 | 006352 | 4 | MOER | NUT | MUTTER | | |
| 5 | 006445 | 4 | BOUT | BOLT | BOLZEN | | |
| 6 | 006457 | 4 | BOUT | BOLT | BOLZEN | | |
| 7 | 006493 | 7 | RING | WASHER | SCHEIBE | | |
| 8 | 006633 | 4 | BOUT | BOLT | BOLZEN | | |
| 9 | 007252 | 1 | ONTLUCHTINGSDOP | AERATING FILTER | ENTLÜFTUNGSFILTER | | |
| 10 | 007994 | 4 | SLUITRING | WASHER | UNTERLEGSCHIEBE | | |
| 11 | 008735 | 4 | BOUT | BOLT | BOLZEN | | |
| 12 | 010586 | 12 | RING | WASHER | SCHEIBE | | |
| 13 | 010902 | 3 | BOUT | BOLT | BOLZEN | | |
| 14 | 011399 | 1 | AFSCHERMKAP | COVER | KAPPE | | |
| 15 | 018025 | 4 | BOUT | BOLT | BOLZEN | | |
| 16 | 021201 | 2 | KLEMBUS | TAPER BUSH | SPANNBUCHSE | | |
| 17 | 021678 | 1 | TRANSMISSIE | TRANSMISSION GEAR BOX | GETRIEBEGEHÄUSE | | |
| 18 | 024600 | 1 | NIPPEL | ADAPTER | REDUZIERVERSCHRAUBUNG | | |
| 19 | 033719 | 1 | SPIE | KEY | KEIL | | |
| 20 | 033744 | 2 | V-SNAARSCHIIF | V-BELT PULLEY | KEILRIEMENSCHIEBE | | |
| 21 | 033745 | 6 | V-SNAAR | V-BELT | KEILRIEMEN | | |
| 22 | 986-1204 | 4 | VULSTUK | SPACER | ABSTANDBLOCK | | |
| 23 | 986-1357 | 1 | BASISPLAAT | BASE PLATE | GRUNDPLATTE | | |
| 24 | 986-1563 | 1 | AANDRIJFAS | DRIVE SHAFT | ANTRIEBSWELLE | | |



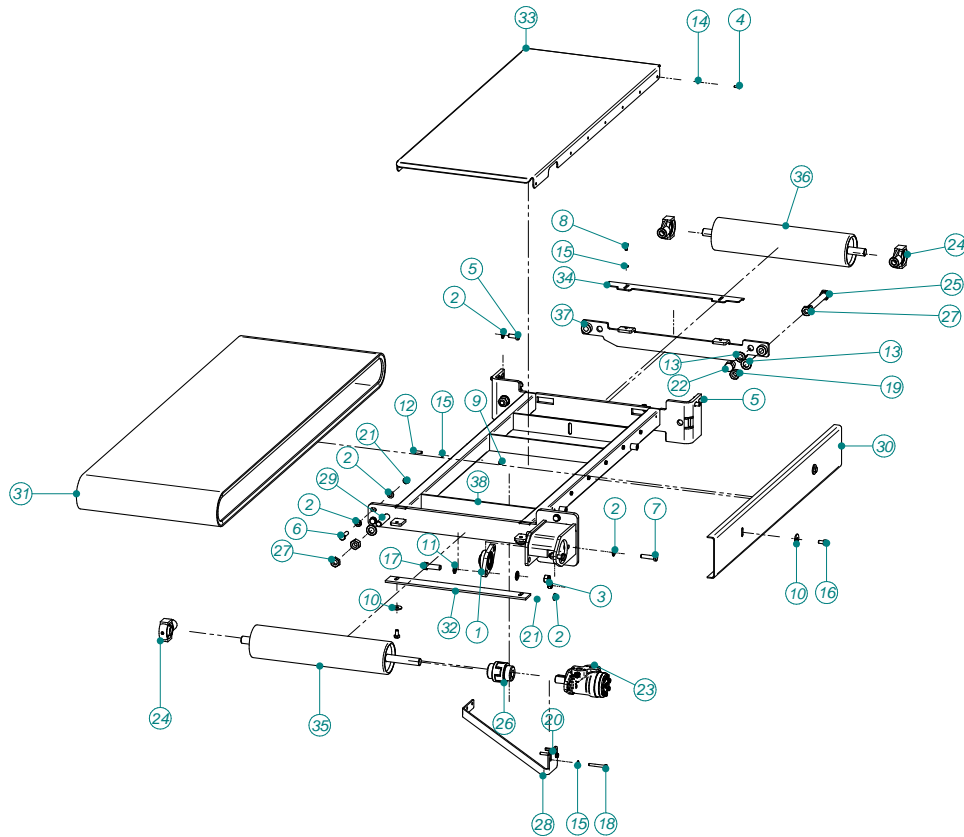
986-1622/0

| POS: | Art.#: | Qty: | Benaming: | Description: | Bezeichnung: | WP* | SP* |
|------|----------|------|-------------|-----------------|-----------------|-----|-----|
| 1 | 000840 | 2 | LAGERBLOK | BEARING HOUSING | LAGERGEHÄUSE | | V |
| 2 | 006248 | 8 | RING | WASHER | SCHEIBE | | |
| 3 | 006280 | 4 | MOER | NUT | MUTTER | | |
| 4 | 006352 | 8 | MOER | NUT | MUTTER | | |
| 5 | 006443 | 7 | BOUT | BOLT | BOLZEN | | |
| 6 | 006449 | 4 | BOUT | BOLT | BOLZEN | | |
| 7 | 006474 | 7 | MOER | NUT | MUTTER | | |
| 8 | 006493 | 16 | RING | WASHER | SCHEIBE | | |
| 9 | 006520 | 4 | BOUT | BOLT | BOLZEN | | |
| 10 | 006557 | 8 | BOUT | BOLT | BOLZEN | | |
| 11 | 006608 | 4 | SMEERNIPPEL | GREASE FITTING | SCHMIERNIPPEL | | |
| 12 | 006619 | 14 | SLUITRING | WASHER | UNTERLEGSCHIEBE | | |
| 13 | 007176 | 4 | BORGPEN | LINCH PIN | KLAPPSTECKER | | |
| 14 | 007994 | 14 | SLUITRING | WASHER | UNTERLEGSCHIEBE | | |
| 15 | 008134 | 7 | MOER | NUT | MUTTER | | |
| 16 | 008408 | 3 | BOUT | BOLT | BOLZEN | | |
| 17 | 008778 | 2 | SLUITRING | WASHER | UNTERLEGSCHIEBE | | |
| 18 | 010248 | 2 | MOER | NUT | MUTTER | | |
| 19 | 021808 | 4 | WERKTUIGPEN | LOWER LINK PIN | UNTERLENKENBOLZ | | |
| 20 | 033746 | 2 | WIEL | WHEEL | RAD | | |
| 21 | 034450 | 2 | GLIJLAGER | PLAIN BEARING | GLEITLAGER | | V |
| 22 | 986-1335 | 1 | AANSLAG | MECHANICAL STOP | ANSCHLAG | | |
| 23 | 986-1336 | 1 | AANSLAG | MECHANICAL STOP | ANSCHLAG | | |
| 24 | 986-1358 | 1 | WIELSTEL | WHEELSET | RADSATZ | | |
| 25 | 986-1373 | 2 | PEN | PIN | STIFT | | |
| 26 | 986-1378 | 1 | PEN | PIN | STIFT | | |
| 27 | 986-1379 | 2 | PEN | PIN | STIFT | | |
| 28 | 986-1380 | 1 | PEN | PIN | STIFT | | |
| 29 | 986-1381 | 1 | PEN | PIN | STIFT | | |
| 30 | 986-1623 | 1 | FRAME | FRAME | RAHMEN | | |
| 31 | 986-1626 | 2 | STEUNPOOT | SUPPORT LEG | STÜTZE | | |
| 32 | 986-1636 | 1 | DISSSEL | SWINGLE BAR | SCHERDEICHEL | | |



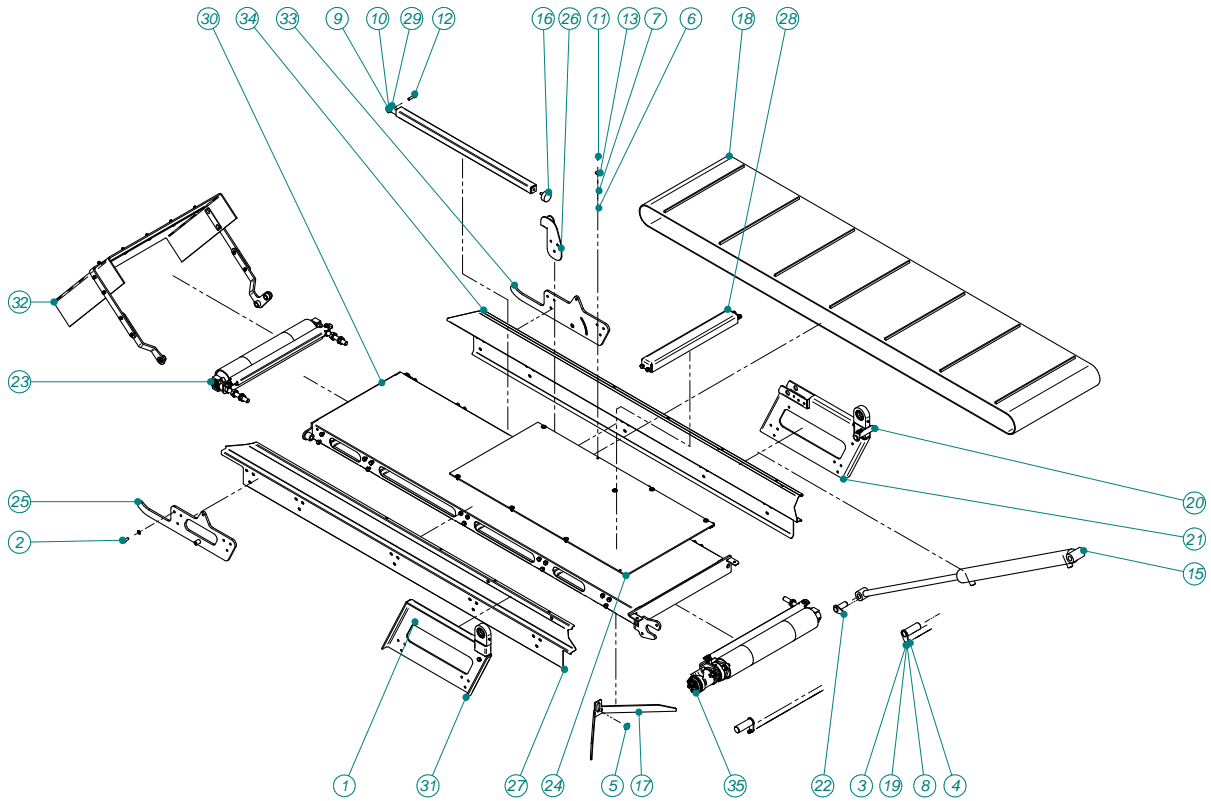
986-1611/0

| POS: | Art.#: | Qty: | Benaming: | Description: | Bezeichnung: | WP* | SP* |
|------|----------|------|-------------------|--------------------|-----------------|-----|-----|
| 1 | 000353 | 4 | DRUKVEER | PRESSURE SPRING | DRUCKFEDER | | |
| 2 | 000644 | 4 | LAGERBLOK | BEARING HOUSING | LAGERGEHÄUSE | | V |
| 3 | 000840 | 1 | LAGERBLOK | BEARING HOUSING | LAGERGEHÄUSE | | V |
| 4 | 006248 | 64 | RING | WASHER | SCHEIBE | | |
| 5 | 006249 | 12 | RING | WASHER | SCHEIBE | | |
| 6 | 006273 | 32 | BOUT | BOLT | BOLZEN | | |
| 7 | 006352 | 4 | MOER | NUT | MUTTER | | |
| 8 | 006442 | 6 | BOUT | BOLT | BOLZEN | | |
| 9 | 006465 | 16 | BOUT | BOLT | BOLZEN | | |
| 10 | 006468 | 8 | BOUT | BOLT | BOLZEN | | |
| 11 | 006493 | 8 | RING | WASHER | SCHEIBE | | |
| 12 | 006560 | 4 | BOUT | BOLT | BOLZEN | | |
| 13 | 006564 | 4 | BOUT | BOLT | BOLZEN | | |
| 14 | 006619 | 8 | SLUITRING | WASHER | UNTERLEGSCHIEBE | | |
| 15 | 006633 | 4 | BOUT | BOLT | BOLZEN | | |
| 16 | 006663 | 6 | STELRING | ADJUSTING RING | STELLRING | | |
| 17 | 007994 | 4 | SLUITRING | WASHER | UNTERLEGSCHIEBE | | |
| 18 | 008115 | 4 | MOER | NUT | MUTTER | | |
| 19 | 008134 | 4 | MOER | NUT | MUTTER | | |
| 20 | 008135 | 4 | MOER | NUT | MUTTER | | |
| 21 | 008785 | 48 | MOER | NUT | MUTTER | | |
| 22 | 008811 | 4 | BOUT | BOLT | BOLZEN | | |
| 23 | 009904 | 6 | MOER | NUT | MUTTER | | |
| 24 | 020850 | 16 | BEITEL | TINE | SPITZE | | |
| 25 | 032371 | 4 | BORGRING | RETAINING RING | SICHERUNGSRING | | |
| 26 | 033719 | 1 | SPIE | KEY | KEIL | | |
| 27 | 033743 | 1 | LAGERBLOK | BEARING HOUSING | LAGERGEHÄUSE | | |
| 28 | 986-1076 | 3 | ROND | ROUND | RUNDSTAHL | | |
| 29 | 986-1116 | 1 | BEVESTIGINGSPLAAT | MOUNTING PLATE | MONTAGEPLATTE | | |
| 30 | 986-1216 | 1 | AANWIJZER | POINTER | POINTER | | |
| 31 | 986-1218 | 1 | STANG | ROD | STANGE | | |
| 32 | 986-1394 | 2 | PLAAT | PLATE | PLATTE | | |
| 33 | 986-1453 | 2 | INSPECTIELUIK | INSPECTION HATCHET | SCHAUVENTIL | | |
| 34 | 986-1612 | 1 | FREESROTOR | CUTTING ROTOR | FRÄSEWELLE | | |
| 35 | 986-1613 | 4 | SCHIJF | DISC | SCHEIBE | | |
| 36 | 986-1614 | 2 | FREESKAP | FRÄSKAPPE | ROTOVATOR COVER | | |



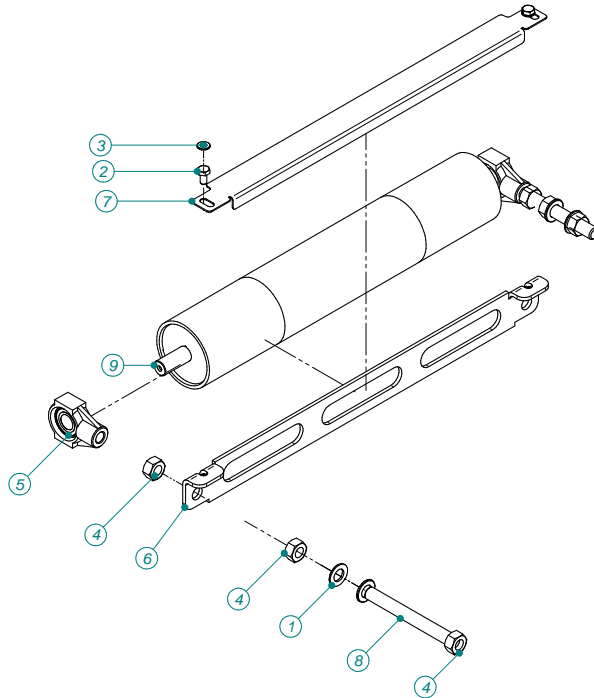
986-1620/0

| POS: | Art.#: | Qty: | Benaming: | Description: | Bezeichnung: | WP* | SP* |
|------|----------|------|-------------------|---------------------|-----------------|-----|-----|
| 1 | 000582 | 1 | LAGERBLOK | BEARING HOUSING | LAGERGEHÄUSE | | V |
| 2 | 006248 | 16 | RING | WASHER | SCHEIBE | | |
| 3 | 006352 | 2 | MOER | NUT | MUTTER | | |
| 4 | 006451 | 15 | BOUT | BOLT | BOLZEN | | |
| 5 | 006455 | 4 | BOUT | BOLT | BOLZEN | | |
| 6 | 006458 | 4 | BOUT | BOLT | BOLZEN | | |
| 7 | 006465 | 2 | BOUT | BOLT | BOLZEN | | |
| 8 | 006468 | 2 | BOUT | BOLT | BOLZEN | | |
| 9 | 006474 | 4 | MOER | NUT | MUTTER | | |
| 10 | 006481 | 4 | SLUITRING | WASHER | SCHLIESSRING | | |
| 11 | 006493 | 4 | RING | WASHER | SCHEIBE | | |
| 12 | 006519 | 2 | BOUT | BOLT | BOLZEN | | |
| 13 | 006568 | 8 | RING | WASHER | SCHEIBE | | |
| 14 | 006602 | 15 | RING | WASHER | SCHEIBE | | |
| 15 | 006619 | 10 | SLUITRING | WASHER | UNTERLEGSCHIEBE | | |
| 16 | 006628 | 4 | BOUT | BOLT | BOLZEN | | |
| 17 | 006633 | 2 | BOUT | BOLT | BOLZEN | | |
| 18 | 006824 | 2 | BOUT | BOLT | BOLZEN | | |
| 19 | 008135 | 4 | MOER | NUT | MUTTER | | |
| 20 | 008750 | 1 | INLEGSPIE | KEY | KEIL | | |
| 21 | 008785 | 6 | MOER | NUT | MUTTER | | |
| 22 | 008819 | 2 | BOUT | BOLT | BOLZEN | | |
| 23 | 021376 | 1 | HYDROMOTOR | HYDRAULIC MOTOR | HYDROMOTOR | | |
| 24 | 021378 | 3 | SPANLAGER | SPHERICAL BAERING | GELENKLAGER | | V |
| 25 | 021679 | 2 | BOUT | BOLT | BOLZEN | | |
| 26 | 023234 | 1 | KOPPELING | COUPLING | KUPPLUNG | | |
| 27 | 029375 | 3 | MOER | NUT | MUTTER | | |
| 28 | 986-1112 | 1 | SCHRAPER | SCRAPER | SCHABER | | |
| 29 | 986-1168 | 1 | DRAADEIND | THREADED ROD | GEWINDESTIFT | | |
| 30 | 986-1179 | 1 | AFDICHTPLAAT | | | | |
| 31 | 986-1180 | 1 | DWARSBAND | CROSS CONVEYOR BELT | QUERFÖRDERBAND | | |
| 32 | 986-1183 | 1 | SCHRAPER | SCRAPER | SCHABER | | |
| 33 | 986-1184 | 1 | GLIJPLAAT | GUIDE PLATE | GLEITPLATTE | | |
| 34 | 986-1226 | 1 | SCHRAPER | SCRAPER | SCHABER | | |
| 35 | 986-1376 | 1 | AANDRIJFROL | DRIVE ROLLER | ANTRIEBSROLLE | | |
| 36 | 986-1377 | 1 | SPANROL | TENSION ROLLER | SPANNROLLE | | |
| 37 | 986-1382 | 1 | BEVESTIGINGSPLAAT | MOUNTING PLATE | MONTAGEPLATTE | | |
| 38 | 986-1619 | 1 | FRAME | FRAME | RAHMEN | | |



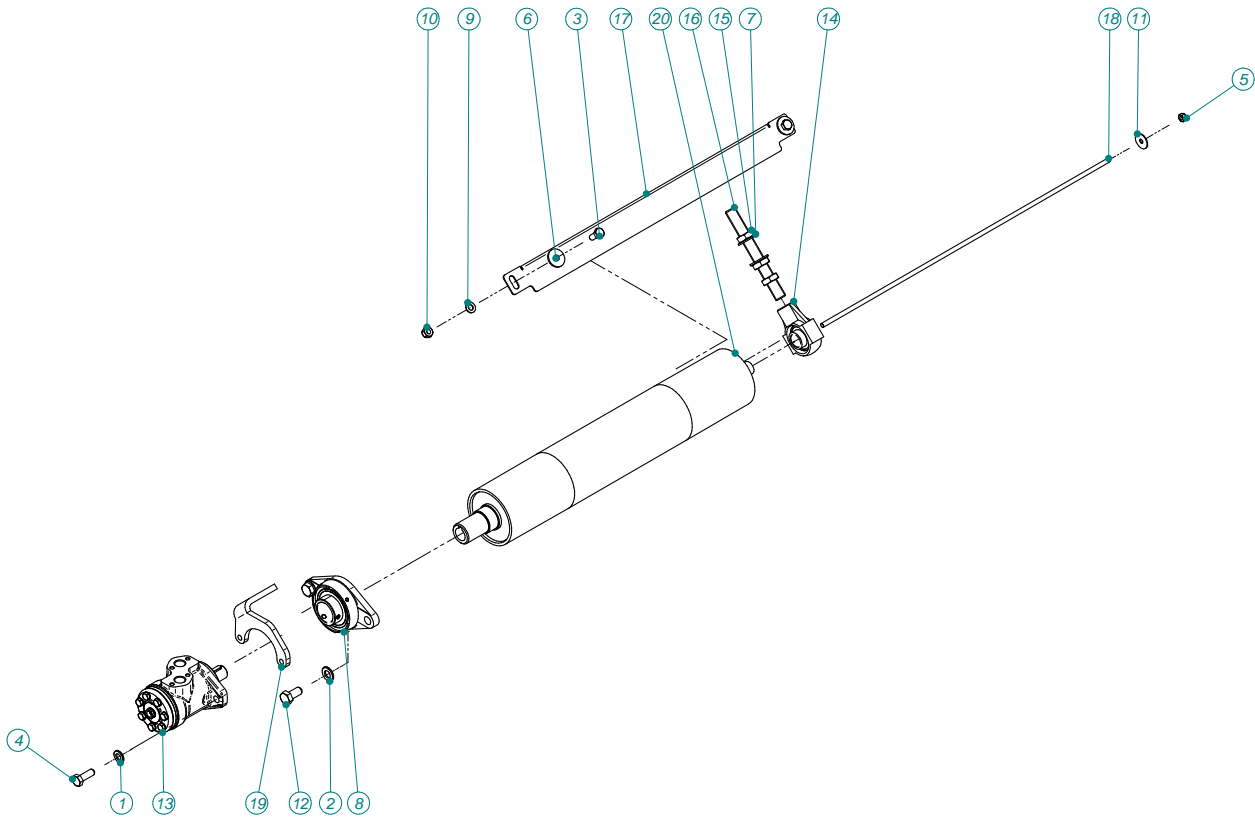
986-1637/0

| POS: | Art.#: | Qty: | Benaming: | Description: | Bezeichnung: | WP* | SP* |
|------|----------|------|-------------------|----------------|-----------------|-----|-----|
| 1 | 006356 | 8 | BOUT | BOLT | BOLZEN | | |
| 2 | 006445 | 30 | BOUT | BOLT | BOLZEN | | |
| 3 | 006449 | 3 | BOUT | BOLT | BOLZEN | | |
| 4 | 006474 | 3 | MOER | NUT | MUTTER | | |
| 5 | 006481 | 1 | SLUITRING | WASHER | SCHLIESSRING | | |
| 6 | 006577 | 8 | MOER | NUT | MUTTER | | |
| 7 | 006602 | 8 | RING | WASHER | SCHEIBE | | |
| 8 | 006619 | 6 | SLUITRING | WASHER | UNTERLEGSCHIEBE | | |
| 9 | 007994 | 49 | SLUITRING | WASHER | UNTERLEGSCHIEBE | | |
| 10 | 008134 | 10 | MOER | NUT | MUTTER | | |
| 11 | 008804 | 8 | BOUT | BOLT | BOLZEN | | |
| 12 | 008858 | 2 | BOUT | BOLT | BOLZEN | | |
| 13 | 010706 | 8 | RING | WASHER | SCHEIBE | | |
| 14* | 032147 | 4 | RING | WASHER | SCHEIBE | | |
| 15 | 033697 | 1 | CILINDER | CYLINDER | ZYLINDER | | |
| 16 | 033742 | 1 | TRILLINGDEMPEP | DAMPER | DÄMPFER | | |
| 17 | 961-1204 | 1 | AFSCHRAPER | SCRAPER | ABSTREIFER | V | |
| 18 | 986-1245 | 1 | OPVOERBAND | CONVEYOR BELT | FÖRDER BAND | | |
| 19 | 986-1364 | 2 | PEN | PIN | STIFT | | |
| 20 | 986-1374 | 1 | PEN | PIN | STIFT | | |
| 21 | 986-1399 | 1 | SCHARNIERPLAAT | HINGE PLATE | GELENKPLATTE | | |
| 22 | 986-1403 | 1 | PEN | PIN | STIFT | | |
| 23 | 986-1410 | 1 | SPANROL | TENSION ROLLER | SPANNROLLE | | |
| 24 | 986-1452 | 1 | AFSCHERMPLAAT | COVER | KAPPE | | |
| 25 | 986-1476 | 1 | BEVESTIGINGSPLAAT | MOUNTING PLATE | MONTAGEPLATTE | | |
| 26 | 986-1607 | 1 | BEUGEL | BRACKET | HALTERUNG | | |
| 27 | 986-1609 | 1 | ZIJPLAAT | SIDE PLATE | SEITENPLATTE | | |
| 28 | 986-1610 | 1 | PROFIEL | PROFILE | PROFIL | | |
| 29 | 986-1632 | 1 | STEUNPOOT | SUPPORT LEG | STÜTZE | | |
| 30 | 986-1638 | 1 | FRAME | FRAME | RAHMEN | | |
| 31 | 986-1640 | 1 | SCHARNIERPLAAT | HINGE PLATE | GELENKPLATTE | | |
| 32 | 986-1642 | 1 | DEFLECTOR | DEFLECTOR | DEFLEKTOR | | |
| 33 | 986-1644 | 1 | BEVESTIGINGSPLAAT | MOUNTING PLATE | MONTAGEPLATTE | | |
| 34 | 986-1648 | 1 | ZIJPLAAT | SIDE PLATE | SEITENPLATTE | | |
| 35 | 986-1650 | 1 | AANDRIJFROL | DRIVE ROLLER | ANTRIEBSROLLE | | |



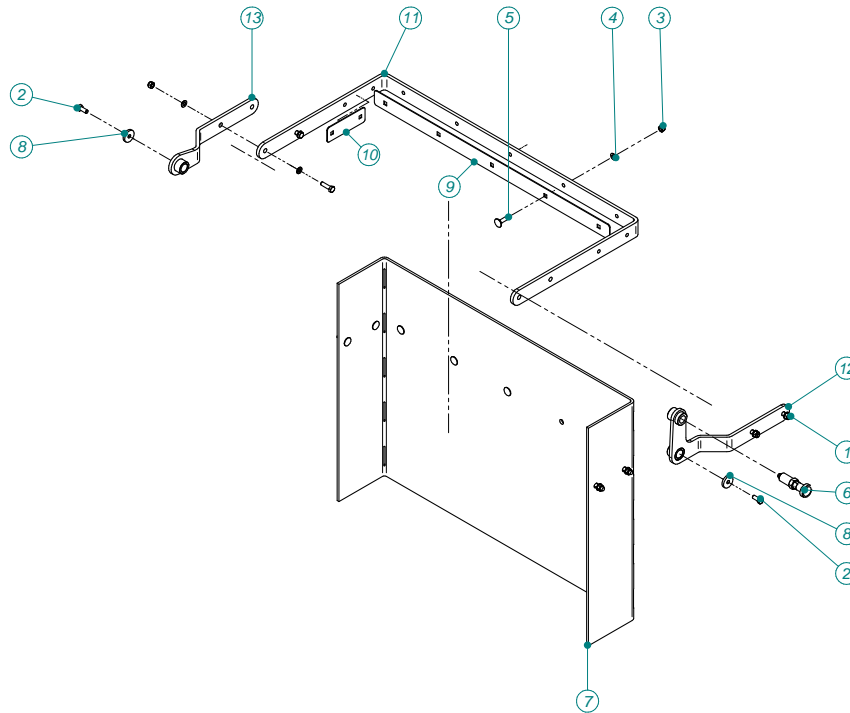
986-1410/1

| POS: | Art.#: | Qty: | Benaming: | Description: | Bezeichnung: | WP* | SP* |
|------|----------|------|-----------|-------------------|-----------------|-----|-----|
| 1 | 006568 | 4 | RING | WASHER | SCHEIBE | | |
| 2 | 006628 | 2 | BOUT | BOLT | BOLZEN | | |
| 3 | 007994 | 2 | SLUITRING | WASHER | UNTERLEGSCHIEBE | | |
| 4 | 008135 | 6 | MOER | NUT | MUTTER | | |
| 5 | 021378 | 2 | SPANLAGER | SPHERICAL BAERING | GELENKLAGER | | V |
| 6 | 961-1055 | 1 | STEUN | SUPPORT | HALTER | | |
| 7 | 961-1205 | 1 | SCHRAPER | SCRAPER | ABSTREIFER | V | |
| 8 | 986-1168 | 2 | DRAADEIND | THREADED ROD | GEWINDESTIFT | | |
| 9 | 986-1404 | 1 | SPANROL | TENSION ROLLER | SPANNROLLE | | |



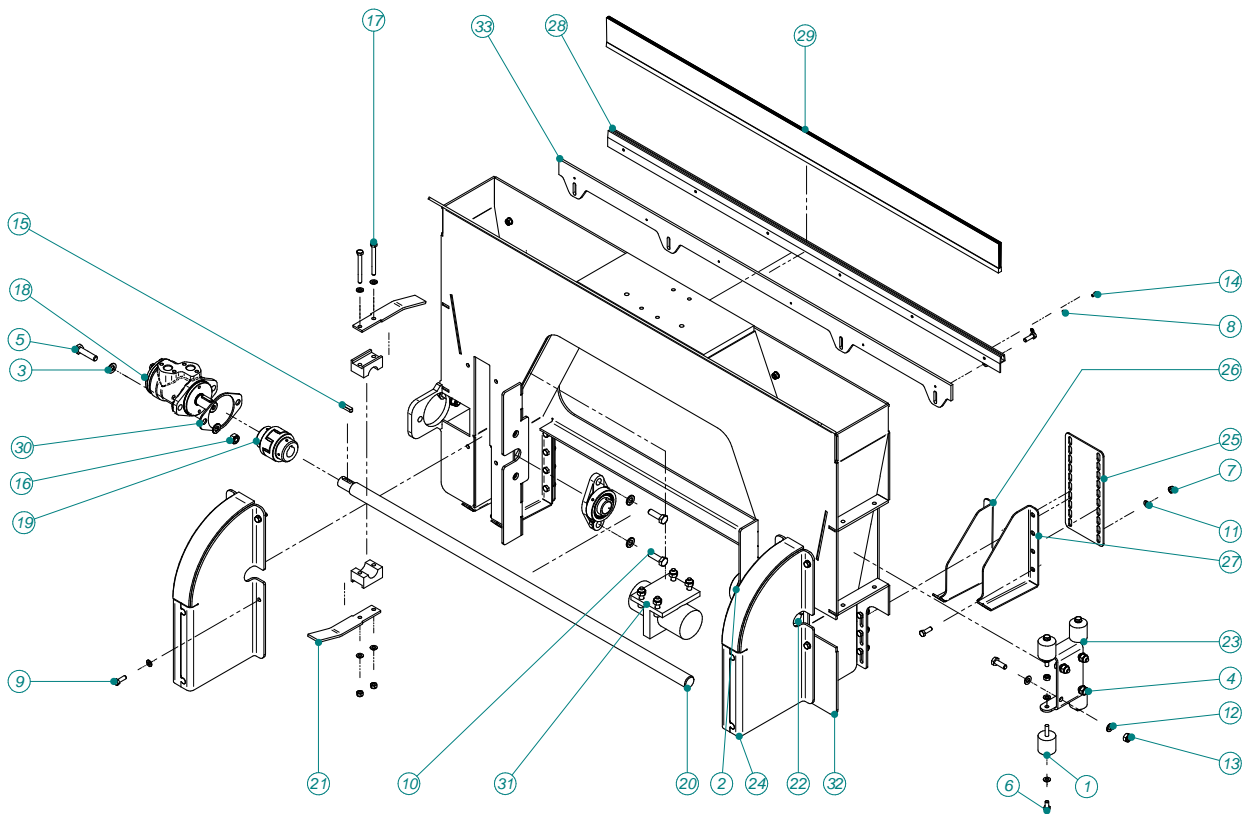
986-1650/0

| POS: | Art.#: | Qty: | Benaming: | Description: | Bezeichnung: | WP* | SP* |
|------|----------|------|-------------|-------------------|-----------------|-----|-----|
| 1 | 006248 | 2 | RING | WASHER | SCHEIBE | | |
| 2 | 006249 | 2 | RING | WASHER | SCHEIBE | | |
| 3 | 006445 | 2 | BOUT | BOLT | BOLZEN | | |
| 4 | 006456 | 2 | BOUT | BOLT | BOLZEN | | |
| 5 | 006474 | 1 | MOER | NUT | MUTTER | | |
| 6 | 006481 | 2 | SLUITRING | WASHER | SCHLIESSRING | | |
| 7 | 006568 | 2 | RING | WASHER | SCHEIBE | | |
| 8 | 006882 | 1 | LAGERBLOK | BEARING HOUSING | LAGERGEHÄUSE | | V |
| 9 | 007994 | 2 | SLUITRING | WASHER | UNTERLEGSCHIEBE | | |
| 10 | 008134 | 2 | MOER | NUT | MUTTER | | |
| 11 | 008413 | 1 | RING | WASHER | SCHEIBE | | |
| 12 | 008814 | 2 | BOUT | BOLT | BOLZEN | | |
| 13 | 021377 | 1 | HYDROMOTOR | HYDRAULIC MOTOR | HYDROMOTOR | | |
| 14 | 021378 | 1 | SPANLAGER | SPHERICAL BAERING | GELENKLAGER | | V |
| 15 | 029375 | 3 | MOER | NUT | MUTTER | | |
| 16 | 986-1168 | 1 | DRAADEIND | THREADED ROD | GEWINDESTIFT | | |
| 17 | 986-1243 | 1 | SCHRAPER | SCRAPER | SCHABER | | |
| 18 | 986-1244 | 1 | DRAADEIND | THREADED ROD | GEWINDESTIFT | | |
| 19 | 986-1251 | 1 | REACTIEARM | TORQUE ARM | MOMENTARM | | |
| 20 | 986-1397 | 1 | AANDRIJFROL | DRIVE ROLLER | ANTRIEBSROLLE | | |



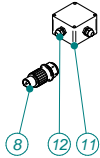
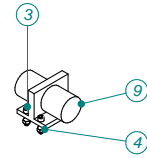
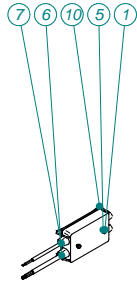
986-1642/0

| POS: | Art.#: | Qty: | Benaming: | Description: | Bezeichnung: | WP* | SP* |
|------|----------|------|-----------------|---------------|--------------------|-----|-----|
| 1 | 006449 | 4 | BOUT | BOLT | BOLZEN | | |
| 2 | 006467 | 2 | BOUT | BOLT | BOLZEN | | |
| 3 | 006474 | 13 | MOER | NUT | MUTTER | | |
| 4 | 006619 | 17 | SLUITRING | WASHER | UNTERLEGSCHIEBE | | |
| 5 | 009194 | 9 | SLOTBOUT | COACH BOLT | SCHLOSSSCHRAUBE | | |
| 6 | 033565 | 1 | BORGPEN | RETAINING PIN | SICHERHEITSSTECKER | | |
| 7 | 986-1457 | 1 | PLAAT | PLATE | PLATTE | | |
| 8 | 986-1466 | 2 | RING | WASHER | SCHEIBE | | |
| 9 | 986-1468 | 1 | STRIP | STRIP | FLACHSTAHL | | |
| 10 | 986-1503 | 2 | STRIP | STRIP | FLACHSTAHL | | |
| 11 | 986-1641 | 1 | BEUGEL | BRACKET | HALTERUNG | | |
| 12 | 986-1643 | 1 | SCHARNIERBEUGEL | HINGE ARM | GELENKBÜGEL | | |
| 13 | 986-1646 | 1 | SCHARNIERBEUGEL | HINGE ARM | GELENKBÜGEL | | |



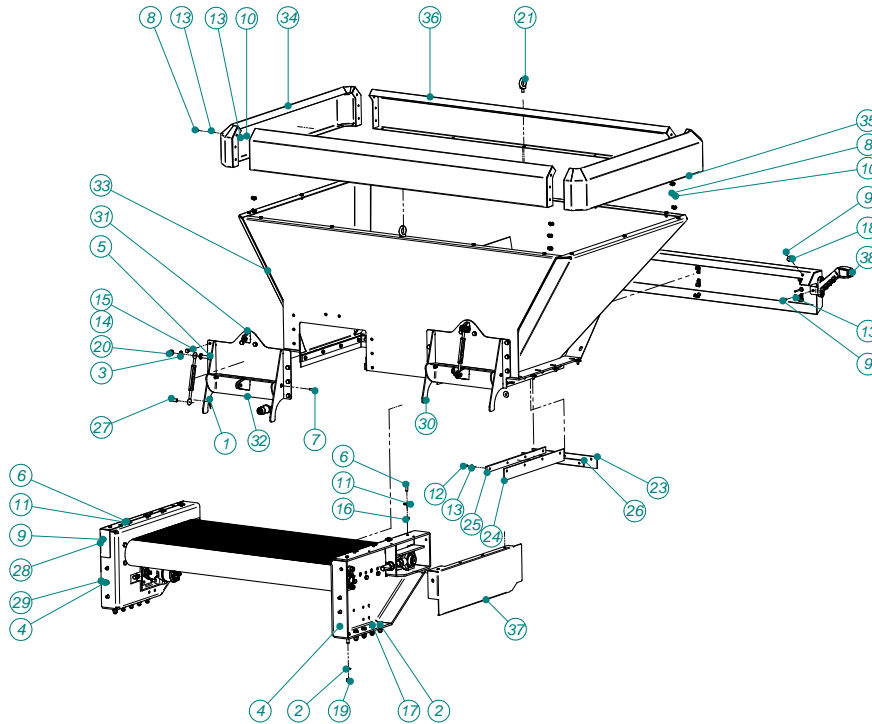
986-1621/0

| POS: | Art.#: | Qty: | Benaming: | Description: | Bezeichnung: | WP* | SP* |
|------|----------|------|-------------------|-----------------|-----------------|-----|-----|
| 1 | | 8 | | | | | |
| 2 | 000644 | 2 | LAGERBLOK | BEARING HOUSING | LAGERGEHÄUSE | | V |
| 3 | 006248 | 12 | RING | WASHER | SCHEIBE | | |
| 4 | 006356 | 8 | BOUT | BOLT | BOLZEN | | |
| 5 | 006465 | 2 | BOUT | BOLT | BOLZEN | | |
| 6 | 006468 | 8 | BOUT | BOLT | BOLZEN | | |
| 7 | 006474 | 40 | MOER | NUT | MUTTER | | |
| 8 | 006494 | 12 | RING | WASHER | SCHEIBE | | |
| 9 | 006519 | 28 | BOUT | BOLT | BOLZEN | | |
| 10 | 006520 | 4 | BOUT | BOLT | BOLZEN | | |
| 11 | 006619 | 64 | SLUITRING | WASHER | UNTERLEGSCHIEBE | | |
| 12 | 007994 | 16 | SLUITRING | WASHER | UNTERLEGSCHIEBE | | |
| 13 | 008134 | 8 | MOER | NUT | MUTTER | | |
| 14 | 008450 | 6 | BOUT | BOLT | BOLZEN | | |
| 15 | 008750 | 1 | INLEGSPIE | KEY | KEIL | | |
| 16 | 008785 | 6 | MOER | NUT | MUTTER | | |
| 17 | 010737 | 4 | BOUT | BOLT | BOLZEN | | |
| 18 | 022571 | 1 | HYDROMOTOR | HYDRAULIC MOTOR | HYDROMOTOR | | |
| 19 | 023234 | 1 | KOPPELING | COUPLING | KUPPLUNG | | |
| 20 | 986-1102 | 1 | AS | SHAFT | ACHSE | | |
| 21 | 986-1166 | 4 | ZANDLEPEL | SAND SCOOP | SANDLÖFFEL | | |
| 22 | 986-1167 | 4 | KLEMBLOK | CLAMPING BLOCK | KLEMMBLOCK | | |
| 23 | 986-1224 | 2 | BEUGEL | BRACKET | HALTERUNG | | |
| 24 | 986-1351 | 2 | KAP | COVER | KAPPE | | |
| 25 | 986-1471 | 2 | PLAAT | PLATE | PLATTE | | |
| 26 | 986-1479 | 2 | PLAAT | PLATE | PLATTE | | |
| 27 | 986-1480 | 2 | PLAAT | PLATE | PLATTE | | |
| 28 | 986-1497 | 1 | H-PROFIEL | H-PROFILE | H-PROFIL | | |
| 29 | 986-1498 | 1 | BORSTEL | BRUSH | BÜRSTE | | |
| 30 | 986-1500 | 1 | VULPLAAT | SPACER PLATE | ABSTANDSPLATTE | | |
| 31 | 986-1601 | 1 | TRILMOTOR | VIBRATOR | VIBRATORMOTOR | | |
| 32 | 986-1630 | 1 | FRAME | FRAME | RAHMEN | | |
| 33 | 986-1647 | 1 | BEVESTIGINGSSTRIP | STRIP | FLACHSTAHL | | |



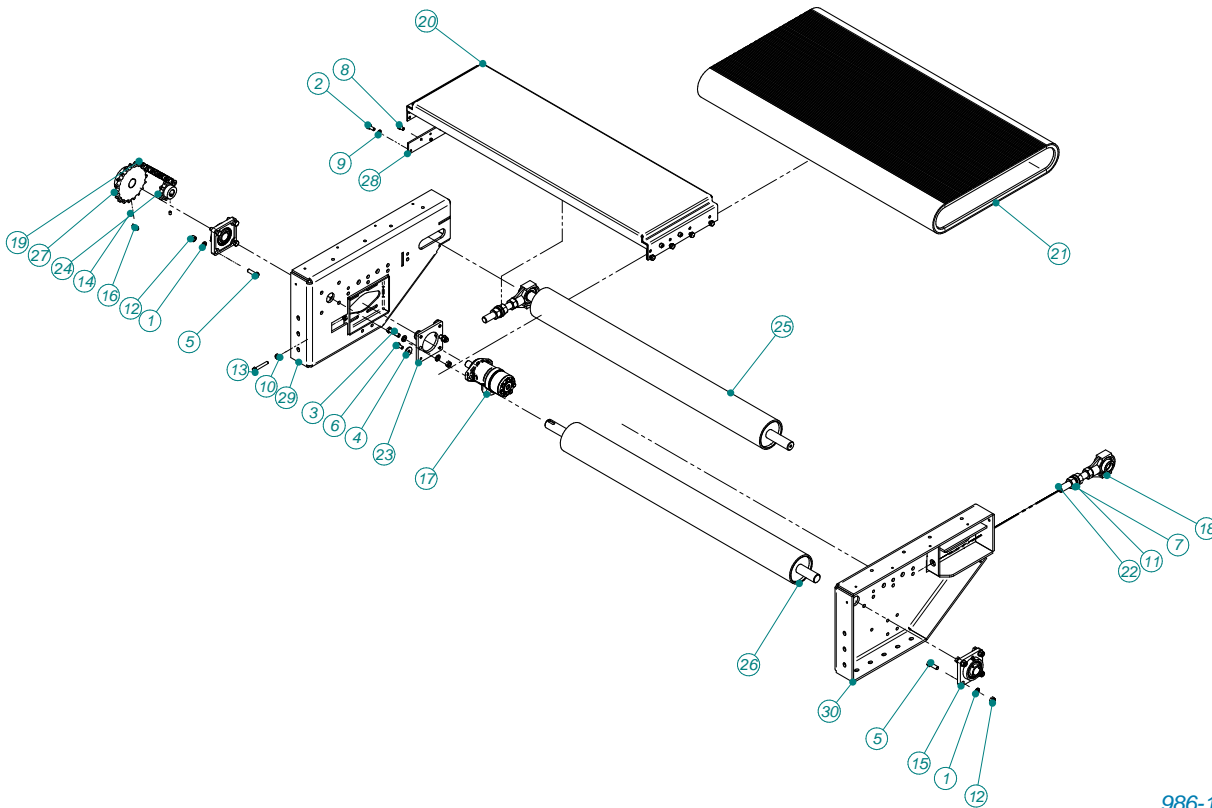
986-1601/0

| POS: | Art.#: | Qty: | Benaming: | Description: | Bezeichnung: | WP* | SP* |
|------|--------|------|-------------|--------------|-----------------------|-----|-----|
| 1 | 006494 | 4 | RING | WASHER | SCHEIBE | | |
| 2* | 006497 | 2 | MOER | NUT | MUTTER | | |
| 3 | 006594 | 4 | BOUT | BOLT | BOLZEN | | |
| 4 | 008134 | 4 | MOER | NUT | MUTTER | | |
| 5 | 010688 | 2 | BOUT | BOLT | BOLZEN | | |
| 6 | 022617 | 1 | KABEL | CABLE | KABEL | | |
| 7 | 025269 | 1 | KABEL | CABLE | KABEL | | |
| 8 | 033904 | 1 | STEKKER | MALE SOCKET | STECKER | | |
| 9 | 033957 | 1 | TRILMOTOR | VIBRATOR | VIBRATORMOTOR | | |
| 10 | 034212 | 1 | KABELDOOS | JUNCTION BOX | LEITUNGSVERBINDERDOSE | | |
| 11 | 034950 | 1 | HUIS | HOUSING | GEHÄUSE | | |
| 12 | 034951 | 2 | KABELWARTEL | CABLE SWIVEL | KABELVERSCHRAUBUNG | | |



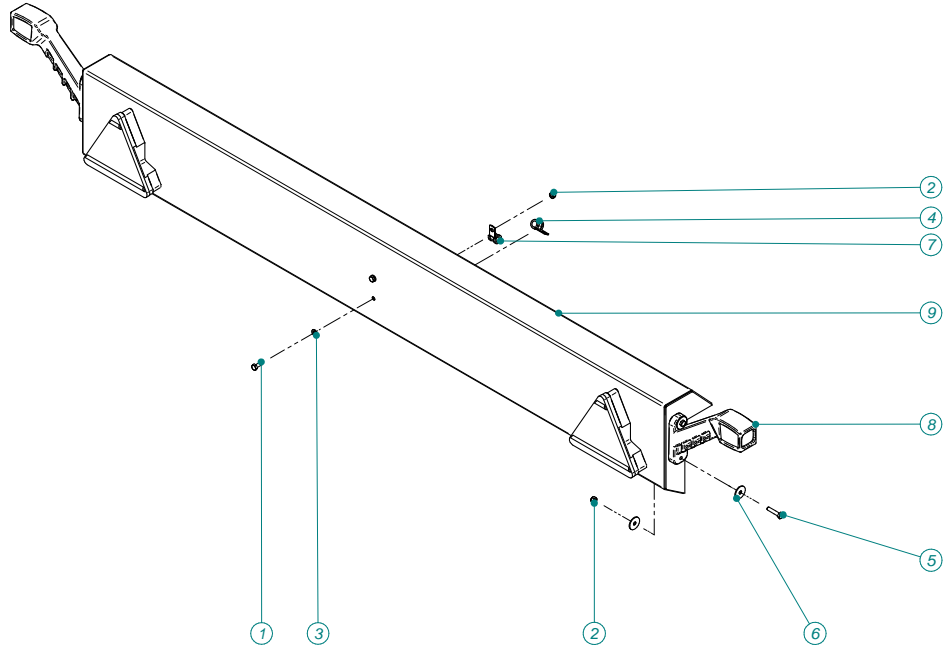
986-1664/0

| POS: | Art.#: | Qty: | Benaming: | Description: | Bezeichnung: | WP* | SP* |
|------|----------|------|--------------|------------------|---------------------|-----|-----|
| 1 | 000041 | 2 | | SPRING COTTER | FEDERSTECKER | | |
| 2 | 006248 | 26 | RING | WASHER | SCHEIBE | | |
| 3 | 006249 | 4 | RING | WASHER | SCHEIBE | | |
| 4 | 006357 | 6 | BOUT | BOLT | BOLZEN | | |
| 5 | 006442 | 2 | BOUT | BOLT | BOLZEN | | |
| 6 | 006443 | 8 | BOUT | BOLT | BOLZEN | | |
| 7 | 006449 | 4 | BOUT | BOLT | BOLZEN | | |
| 8 | 006467 | 32 | BOUT | BOLT | BOLZEN | | |
| 9 | 006468 | 14 | BOUT | BOLT | BOLZEN | | |
| 10 | 006474 | 36 | MOER | NUT | MUTTER | | |
| 11 | 006481 | 8 | SLUITRING | WASHER | SCHLISSRING | | |
| 12 | 006519 | 22 | BOUT | BOLT | BOLZEN | | |
| 13 | 006619 | 94 | SLUITRING | WASHER | UNTERLEGSCHIEBE | | |
| 14 | 006628 | 16 | BOUT | BOLT | BOLZEN | | |
| 15 | 007994 | 24 | SLUITRING | WASHER | UNTERLEGSCHIEBE | | |
| 16 | 008134 | 8 | MOER | NUT | MUTTER | | |
| 17 | 008410 | 10 | BOUT | BOLT | BOLZEN | | |
| 18 | 008413 | 12 | RING | WASHER | SCHEIBE | | |
| 19 | 008785 | 12 | MOER | NUT | MUTTER | | |
| 20 | 009904 | 2 | MOER | NUT | MUTTER | | |
| 21 | 010502 | 2 | OOGBOUT | LIFTING EYE BOLT | RINGSCHRAUBE | | |
| 22* | 033738 | 2 | SPANSCHROEF | TURNBUCKLE | SPANNSCHRAUBE | | |
| 23 | 986-1145 | 2 | AFDICHTING | SEAL | DICHTUNGSPACKUNG | | |
| 24 | 986-1146 | 4 | AFDICHTING | SEAL | DICHTUNGSPACKUNG | | |
| 25 | 986-1147 | 4 | STRIP | STRIP | FLACHSTAHL | | |
| 26 | 986-1148 | 2 | STRIP | STRIP | FLACHSTAHL | | |
| 27 | 986-1495 | 2 | PEN | PIN | STIFT | | |
| 28 | 986-1605 | 1 | KAP | COVER | KAPPE | | |
| 29 | 986-1615 | 1 | ZANDBAND | SAND BELT | SANDFÖRDERBAND | | |
| 30 | 986-1616 | 1 | MONTAGEPLAAT | MOUNTING PLATE | MONTAGEPLATTE | | |
| 31 | 986-1617 | 1 | MONTAGEPLAAT | MOUNTING PLATE | MONTAGEPLATTE | | |
| 32 | 986-1618 | 2 | DOSEERKLEP | DOSING CHUTE | DOSIERKLAPPE | | |
| 33 | 986-1624 | 1 | ZANDBUFFER | SAND HOPPER | SANDVORRATSBEHÄLTER | | |
| 34 | 986-1627 | 1 | OPZETRAND | EDGE | KANTE | | |
| 35 | 986-1628 | 1 | OPZETRAND | EDGE | KANTE | | |
| 36 | 986-1629 | 2 | OPZETRAND | EDGE | KANTE | | |
| 37 | 986-1649 | 1 | KAP | COVER | KAPPE | | |
| 38 | 986-1665 | 1 | VERLICHTING | LIGHTING | LEUCHTEN | | |



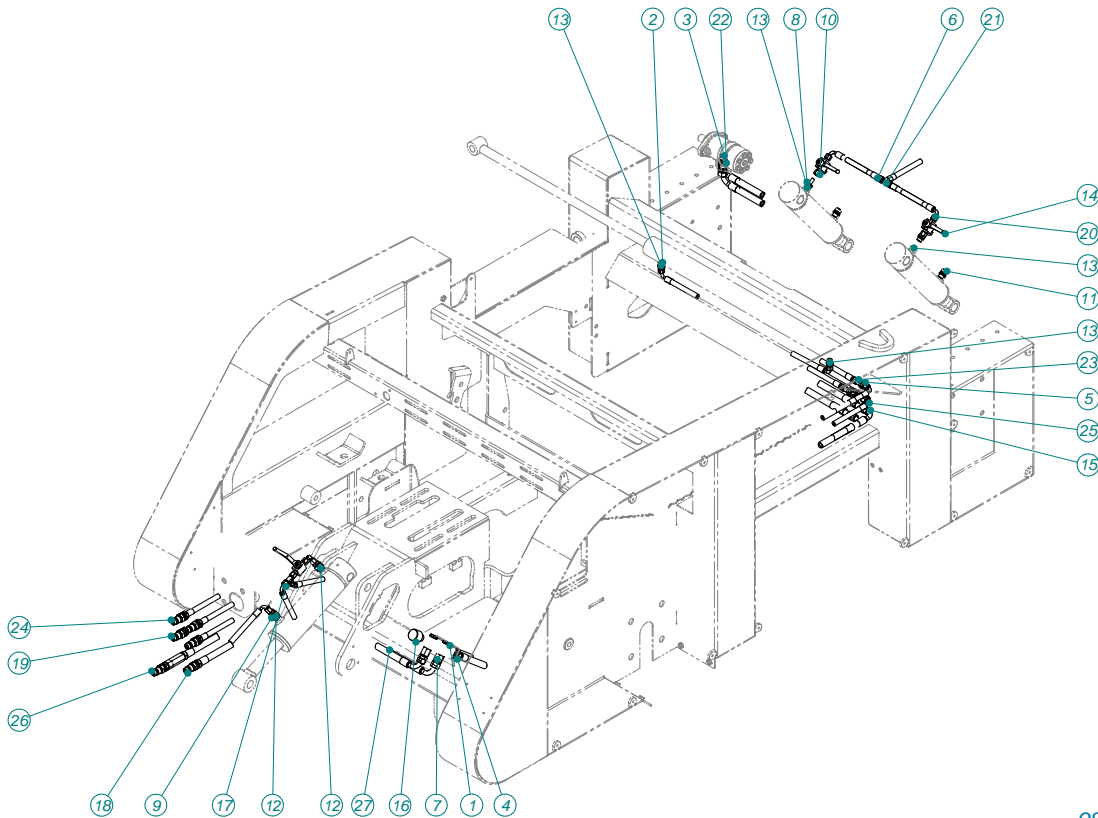
986-1615/0

| POS: | Art.#: | Qty: | Benaming: | Description: | Bezeichnung: | WP* | SP* |
|------|----------|------|-------------------|-------------------|-----------------|-----|-----|
| 1 | 006248 | 12 | RING | WASHER | SCHEIBE | | |
| 2 | 006445 | 8 | BOUT | BOLT | BOLZEN | | |
| 3 | 006465 | 2 | BOUT | BOLT | BOLZEN | | |
| 4 | 006481 | 4 | SLUITRING | WASHER | SCHLIESSRING | | |
| 5 | 006520 | 8 | BOUT | BOLT | BOLZEN | | |
| 6 | 006628 | 4 | BOUT | BOLT | BOLZEN | | |
| 7 | 006638 | 6 | MOER | NUT | MUTTER | | |
| 8 | 006646 | 4 | BOUT | BOLT | BOLZEN | | |
| 9 | 007994 | 8 | SLUITRING | WASHER | UNTERLEGSCHIEBE | | |
| 10 | 008115 | 1 | MOER | NUT | MUTTER | | |
| 11 | 008777 | 4 | RING | WASHER | SCHEIBE | | |
| 12 | 008785 | 10 | MOER | NUT | MUTTER | | |
| 13 | 008801 | 1 | BOUT | BOLT | BOLZEN | | |
| 14 | 008837 | 2 | STELSCHROEF | SET SCREW | GEWINDESTIFT | | |
| 15 | 020109 | 2 | LAGERBLOK | BEARING HOUSING | LAGERGEHÄUSE | | V |
| 16 | 024749 | 1 | SPIE | KEY | KEILE | | |
| 17 | 033700 | 1 | HYDROMOTOR | HYDRAULIC MOTOR | HYDROMOTOR | | |
| 18 | 033736 | 2 | SPANLAGER | SPHERICAL BAERING | GELENKLAGER | | |
| 19 | 033737 | 1 | KETTING | CHAIN | KETTEN | | V |
| 20 | 986-1020 | 1 | PLAAT | PLATE | PLATTE | | |
| 21 | 986-1025 | 1 | ZANDBAND | SAND BELT | SANDFÖRDERBAND | | |
| 22 | 986-1026 | 2 | DRAADEIND | THREADED ROD | GEWINDESTIFT | | |
| 23 | 986-1031 | 1 | BEVESTIGINGSPLAAT | MOUNTING PLATE | MONTAGEPLATTE | | |
| 24 | 986-1262 | 1 | KETTINGWIEL | CHAIN WHEEL | KETTENRAD | | |
| 25 | 986-1344 | 1 | SPANROL | TENSION ROLLER | SPANNROLLE | | |
| 26 | 986-1345 | 1 | AANDRIJFROL | DRIVE ROLLER | ANTRIEBSROLLE | | |
| 27 | 986-1577 | 1 | KETTINGWIEL | CHAIN WHEEL | KETTENRAD | | |
| 28 | 986-1597 | 2 | PLAAT | PLATE | PLATTE | | |
| 29 | 986-1654 | 1 | STEUN | SUPPORT | HALTER | | |
| 30 | 986-1655 | 1 | STEUN | SUPPORT | HALTER | | |



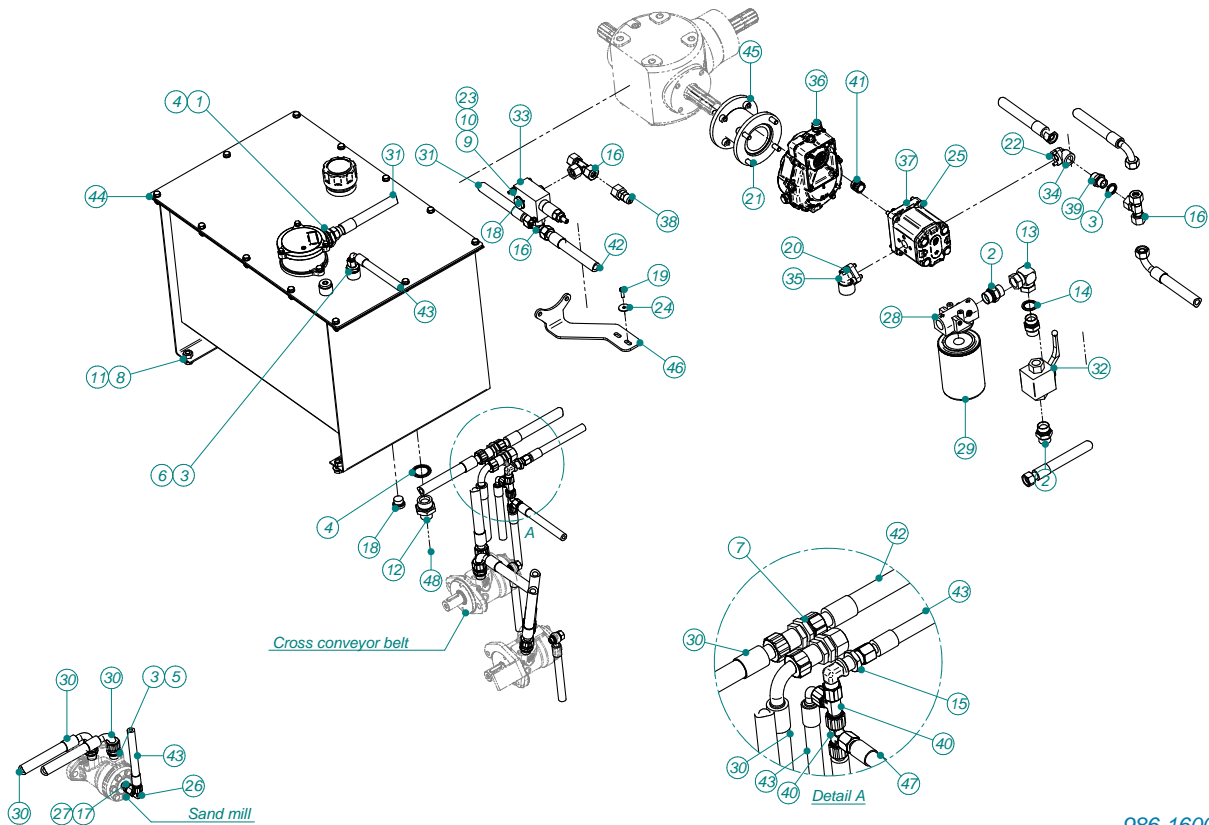
986-1665/0

| POS: | Art.#: | Qty: | Benaming: | Description: | Bezeichnung: | WP* | SP* |
|------|----------|------|-----------------|--------------|--------------------|-----|-----|
| 1 | 006451 | 3 | BOUT | BOLT | BOLZEN | | |
| 2 | 006577 | 7 | MOER | NUT | MUTTER | | |
| 3 | 006602 | 3 | RING | WASHER | SCHEIBE | | |
| 4 | 007260 | 1 | PIJPKLEM | PIPE CLAMP | ROHRLEITUNGSKLEMME | | |
| 5 | 008806 | 4 | BOUT | BOLT | BOLZEN | | |
| 6 | 010706 | 8 | RING | WASHER | SCHEIBE | | |
| 7 | 016374 | 6 | PIJPKLEM | PIPE CLAMP | ROHRLEITUNGSKLEMME | | |
| 8 | 023681 | 1 | VERLICHTINGSSET | LIGHTING SET | LEUCHTENEINHEIT | | |
| 9 | 986-1631 | 1 | ACHERBALK | REAR FRAME | HINTERRAHMEN | | |



986-1599/0

| POS: | Art.#: | Qty: | Benaming: | Description: | Bezeichnung: | WP* | SP* |
|------|----------|------|--------------------|--------------------|------------------------|-----|-----|
| 1 | 000110 | 8 | USIT-RING | MULTI SEAL | USITRING | | |
| 2 | 000239 | 3 | KOPPELING | COUPLING | KUPPLUNG | | |
| 3 | 000302 | 2 | KOPPELING | COUPLING | KUPPLUNG | | |
| 4 | 000376 | 2 | KOPPELING | COUPLING | KUPPLUNG | | |
| 5 | 000376 | 3 | KOPPELING | COUPLING | KUPPLUNG | | |
| 6 | 000459 | 1 | KOPPELING | COUPLING | KUPPLUNG | | |
| 7 | 001177 | 2 | KOPPELING | COUPLING | KUPPLUNG | | |
| 8 | 006841 | 3 | KOPPELING | COUPLING | KUPPLUNG | | |
| 9 | 007226 | 2 | NIPPEL | ADAPTER | REDUZIERVERSCHRAUBUNG | | |
| 10 | 010888 | 3 | KOPPELING | COUPLING | KUPPLUNG | | |
| 11 | 011272 | 2 | ONTLUCHTINGSDOP | AERATING FILTER | ENTLÜFTUNGSFILTER | | |
| 12 | 024435 | 2 | SMOORRING | THROTTEL DISC | BLENDENSCHIEBE | | |
| 13 | 024435 | 4 | SMOORRING | THROTTEL DISC | BLENDENSCHIEBE | | |
| 14 | 033694 | 3 | KOGELKRAAN | BALL-VALVE | KUGELHAHN | | |
| 15 | 033707 | 2 | KOPPELING | COUPLING | KUPPLUNG | | |
| 16 | 033709 | 1 | STROOMREGELVENTIEL | FLOW CONTROL VALVE | STROMREGELVENTIL | | |
| 17 | 034859 | 1 | KOPPELING | COUPLING | KUPPLUNG | | |
| 18 | 963-1022 | 1 | HYDR.SLANG | HYDRAULIC HOSE | HYDRAULISCHES SCHLAUCH | | |
| 19 | 963-1026 | 2 | HYDR.SLANG | HYDRAULIC HOSE | HYDRAULISCHES SCHLAUCH | | |
| 20 | 963-1417 | 2 | HYDR.SLANG | HYDRAULIC HOSE | HYDRAULISCHES SCHLAUCH | | |
| 21 | 986-1582 | 1 | HYDR.SLANG | HYDRAULIC HOSE | HYDRAULISCHES ROHR | | |
| 22 | 986-1583 | 2 | HYDR.SLANG | HYDRAULIC HOSE | HYDRAULISCHES SCHLAUCH | | |
| 23 | 986-1584 | 2 | HYDR.SLANG | HYDRAULIC HOSE | HYDRAULISCHES SCHLAUCH | | |
| 24 | 986-1585 | 2 | HYDR.SLANG | HYDRAULIC HOSE | HYDRAULISCHES SCHLAUCH | | |
| 25 | 986-1586 | 1 | HYDR.SLANG | HYDRAULIC HOSE | HYDRAULISCHES SCHLAUCH | | |
| 26 | 986-1587 | 1 | HYDR.SLANG | HYDRAULIC HOSE | HYDRAULISCHES SCHLAUCH | | |
| 27 | 986-1588 | 2 | HYDR.SLANG | HYDRAULIC HOSE | HYDRAULISCHES SCHLAUCH | | |

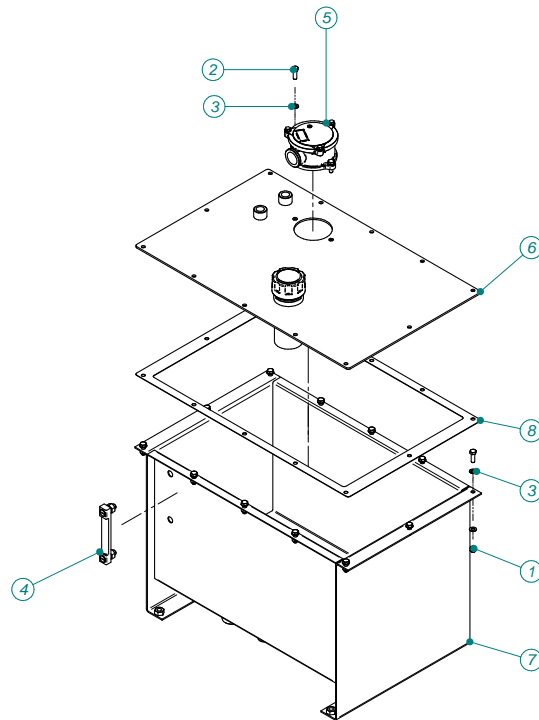


986-1600/1

| POS: | Art.#: | Qty: | Benaming: | Description: | Bezeichnung: | WP* | SP* |
|------|----------|------|----------------|----------------|------------------------|-----|-----|
| 1 | 000012 | 1 | NIPPEL | ADAPTER | REDUZIERVERSCHRAUBUNG | | |
| 2 | 000012 | 5 | NIPPEL | ADAPTER | REDUZIERVERSCHRAUBUNG | | |
| 3 | 000110 | 11 | USIT-RING | MULTI SEAL | USITRING | | |
| 4 | 000152 | 2 | USIT-RING | MULTI SEAL | USITRING | | |
| 5 | 000302 | 6 | KOPPELING | COUPLING | KUPPLUNG | | |
| 6 | 000318 | 1 | KOPPELING | COUPLING | KUPPLUNG | | |
| 7 | 000376 | 2 | KOPPELING | COUPLING | KUPPLUNG | | |
| 8 | 006248 | 4 | RING | WASHER | SCHEIBE | | |
| 9 | 006577 | 2 | MOER | NUT | MUTTER | | |
| 10 | 006602 | 2 | RING | WASHER | SCHEIBE | | |
| 11 | 006639 | 4 | BOUT | BOLT | BOLZEN | | |
| 12 | 006956 | 1 | NIPPEL | ADAPTER | REDUZIERVERSCHRAUBUNG | | |
| 13 | 006960 | 1 | KOPPELING | COUPLING | KUPPLUNG | | |
| 14 | 006964 | 7 | USIT-RING | MULTI SEAL | USITRING | | |
| 15 | 006987 | 1 | KOPPELING | HYDRAULIC | HYDRAULIK | | |
| 16 | 007208 | 3 | KOPPELING | COUPLING | KUPPLUNG | | |
| 17 | 007213 | 1 | USIT-RING | MULTI SEAL | USITRING | | |
| 18 | 007224 | 3 | AFDICHTPLUG | PLUG | STOPFEN | | |
| 19 | 008804 | 2 | BOUT | BOLT | BOLZEN | | |
| 20 | 008826 | 3 | BOUT | BOLT | BOLZEN | | |
| 21 | 010654 | 8 | BOUT | BOLT | BOLZEN | | |
| 22 | 010698 | 3 | BOUT | BOLT | BOLZEN | | |
| 23 | 010704 | 2 | BOUT | BOLT | BOLZEN | | |
| 24 | 010706 | 2 | RING | WASHER | SCHEIBE | | |
| 25 | 010727 | 4 | BOUT | BOLT | BOLZEN | | |
| 26 | 010888 | 1 | KOPPELING | COUPLING | KUPPLUNG | | |
| 27 | 021330 | 1 | KOPPELING | COUPLING | KUPPLUNG | | |
| 28 | 030745 | 1 | FILTERHUIS | FILTER HEAD | FILTERKOPF | | |
| 29 | 030746 | 1 | FILTERELEMENT | FILTER ELEMENT | FILTERELEMENT | | V |
| 30 | 031218 | 6 | HYDR.SLANG | HYDRAULIC HOSE | HYDRAULISCHES SCHLAUCH | | |
| 31 | 033185 | 1 | HYDR.SLANG | HYDRAULIC HOSE | HYDRAULISCHES SCHLAUCH | | |
| 32 | 033694 | 1 | KOGELKRAAN | BALL-VALVE | KUGELHAHN | | |
| 33 | 033701 | 1 | VENTIEL | VALVE | VENTIL | | |
| 34 | 033703 | 1 | POMPFLENS | PUMP FLANGE | PUMPENFLANSCH | | |
| 35 | 033704 | 1 | POMPFLENS | PUMP FLANGE | PUMPENFLANSCH | | |
| 36 | 033705 | 1 | AANDRIJFKAST | GEAR BOX | GETRIEBEGEHAUSE | | |
| 37 | 033710 | 1 | TANDWIELPOMP | GEAR PUMP | ZAHNRADPUMPE | | |
| 38 | 034560 | 1 | KOPPELING | COUPLING | KUPPLUNG | | |
| 39 | 034798 | 3 | NIPPEL | ADAPTER | REDUZIERVERSCHRAUBUNG | | |
| 40 | 034859 | 2 | KOPPELING | COUPLING | KUPPLUNG | | |
| 41 | 034930 | 1 | SPLINEBUS | SPLINE BUSH | KEILENNABE | | |
| 42 | 400-1211 | 1 | HYDR.SLANG | HYDRAULIC HOSE | HYDRAULISCHES SCHLAUCH | | |
| 43 | 963-1417 | 2 | HYDR.SLANG | HYDRAULIC HOSE | HYDRAULISCHES SCHLAUCH | | |
| 44 | 986-1363 | 1 | HYDRAULIEKTANK | HYDRAULIC TANK | HYDRAULIKTANK | | |
| 45 | 986-1368 | 1 | LANTAARNSTUK | JOINT TUBE | VERBINDUNGSROHR | | |
| 46 | 986-1505 | 1 | BEUGEL | BRACKET | HALTERUNG | | |
| 47 | 986-1589 | 2 | HYDR.SLANG | HYDRAULIC HOSE | HYDRAULISCHES SCHLAUCH | | |
| 48 | 986-1598 | 2 | HYDR.SLANG | HYDRAULIC HOSE | HYDRAULISCHES SCHLAUCH | | |

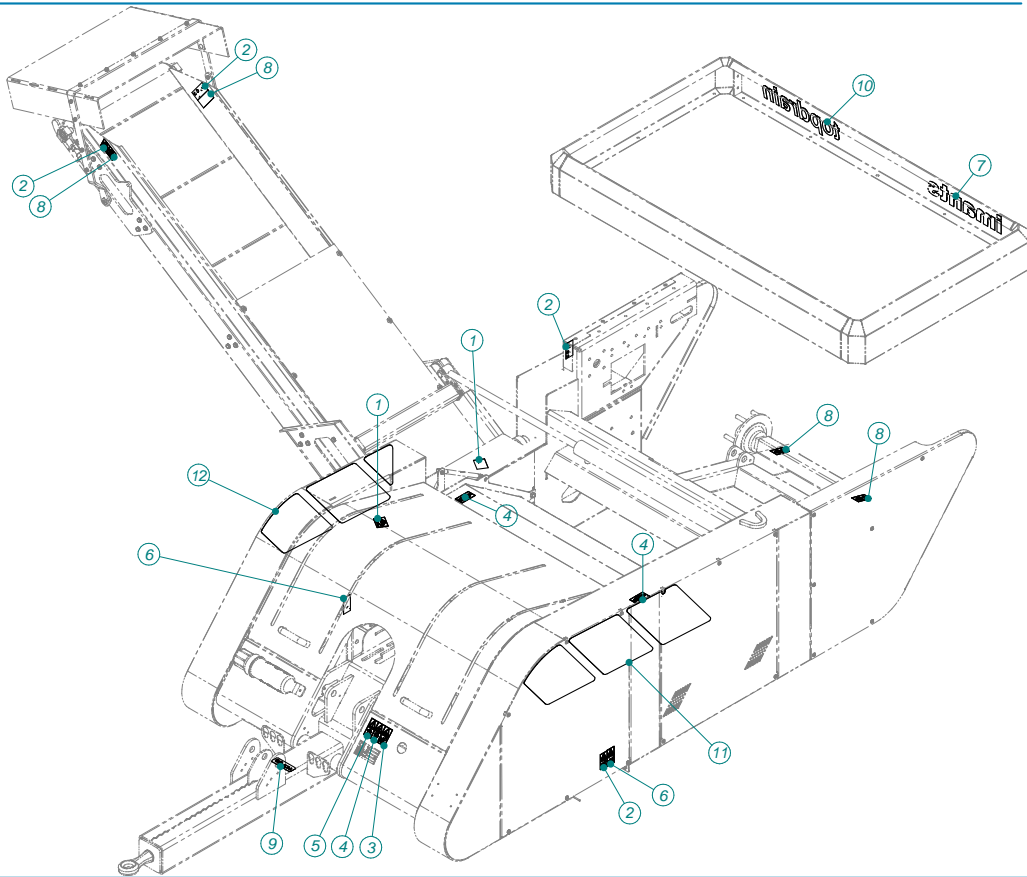
SE: 986-1600_EXP-1.dft

* WP: Wear Part, SP: Recommended Spare Part



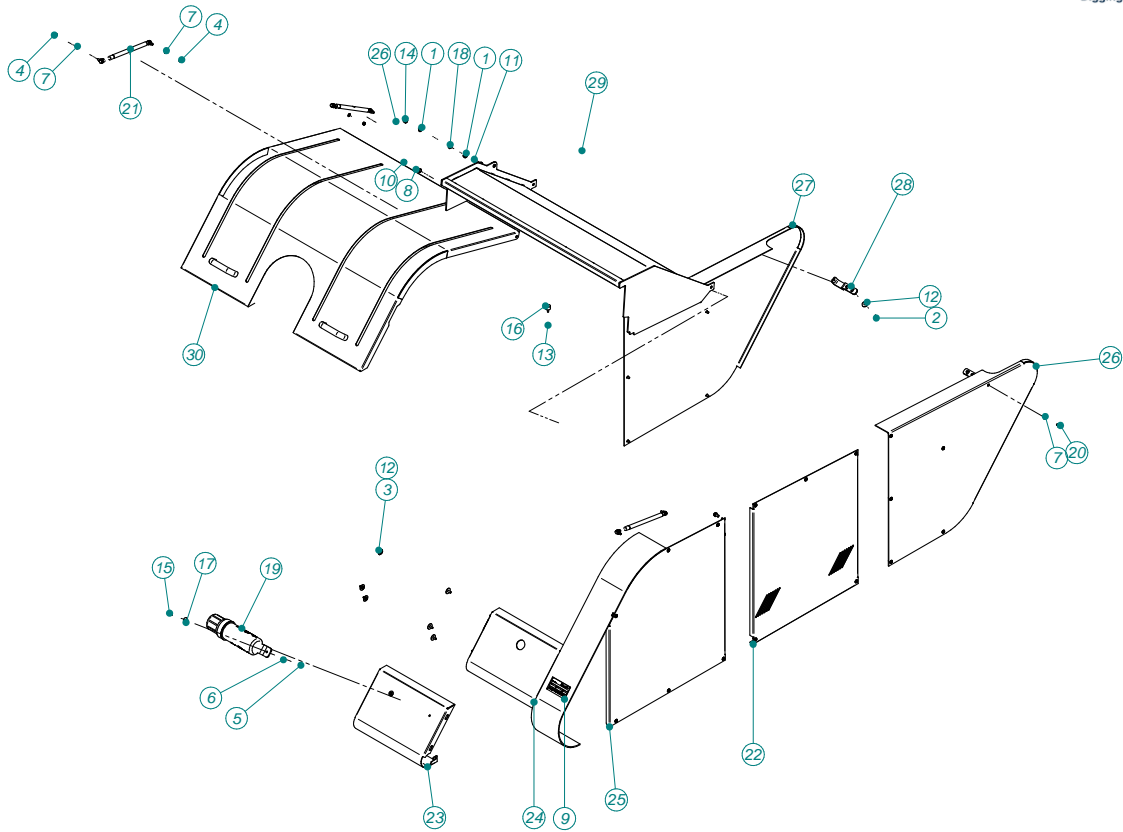
986-1363/1

| POS: | Art.#: | Qty: | Benaming: | Description: | Bezeichnung: | WP* | SP* |
|------|----------|------|--------------|---------------|-----------------|-----|-----|
| 1 | 006474 | 12 | MOER | NUT | MUTTER | | |
| 2 | 006519 | 14 | BOUT | BOLT | BOLZEN | | |
| 3 | 006619 | 26 | SLUITRING | WASHER | UNTERLEGSCHIEBE | | |
| 4 | 033702 | 1 | PEILGLAS | SCHAUGLAS | GAUGE GLASS | | |
| 5 | 033706 | 1 | RETOURFILTER | RETURN FILTER | RÜCKLAUFFILTER | | |
| 6 | 986-1334 | 1 | DEKSEL | COVER | DECKEL | | |
| 7 | 986-1393 | 1 | TANK | TANK | TANK | | |
| 8 | 986-1559 | 1 | PAKKING | GASKET | PACKUNG | | |



986-1656/0

| POS: | Art.#: | Qty: | Benaming: | Description: | Bezeichnung: | WP* | SP* |
|------|----------|------|-----------|--------------|--------------|-----|-----|
| 1 | 019128 | 2 | STICKER | STICKER | AUFKLEBER | | |
| 2 | 019129 | 4 | STICKER | STICKER | AUFKLEBER | | |
| 3 | 019230 | 1 | STICKER | STICKER | AUFKLEBER | | |
| 4 | 019232 | 3 | STICKER | STICKER | AUFKLEBER | | |
| 5 | 019235 | 1 | STICKER | STICKER | AUFKLEBER | | |
| 6 | 019237 | 2 | STICKER | STICKER | AUFKLEBER | | |
| 7 | 024633 | 1 | STICKER | STICKER | AUFKLEBER | | |
| 8 | 025725 | 4 | STICKER | STICKER | AUFKLEBER | | |
| 9 | 963-1376 | 1 | STICKER | STICKER | AUFKLEBER | | |
| 10 | 986-1657 | 1 | STICKER | STICKER | AUFKLEBER | | |
| 11 | 986-1658 | 1 | STICKER | STICKER | AUFKLEBER | | |
| 12 | 986-1659 | 1 | STICKER | STICKER | AUFKLEBER | | |



986-1661/0

| POS: | Art.#: | Qty: | Benaming: | Description: | Bezeichnung: | WP* | SP* |
|------|----------|------|----------------|---------------------------|-------------------------------------|-----|-----|
| 1 | 006248 | 9 | RING | WASHER | SCHEIBE | | |
| 2 | 006467 | 10 | BOUT | BOLT | BOLZEN | | |
| 3 | 006468 | 6 | BOUT | BOLT | BOLZEN | | |
| 4 | 006474 | 3 | MOER | NUT | MUTTER | | |
| 5 | 006577 | 2 | MOER | NUT | MUTTER | | |
| 6 | 006602 | 2 | RING | WASHER | SCHEIBE | | |
| 7 | 006619 | 26 | SLUITRING | WASHER | UNTERLEGSCHIEBE | | |
| 8 | 006628 | 2 | BOUT | BOLT | BOLZEN | | |
| 9 | 006877 | 1 | TYPEPLAATJE | NAME-PLATE | NAMENSCHILD | | |
| 10 | 007994 | 2 | SLUITRING | WASHER | UNTERLEGSCHIEBE | | |
| 11* | 008410 | 3 | BOUT | BOLT | BOLZEN | | |
| 12 | 008413 | 16 | RING | WASHER | SCHEIBE | | |
| 13* | 008782 | 2 | MOER | NUT | MUTTER | | |
| 14* | 008785 | 3 | MOER | NUT | MUTTER | | |
| 15 | 008805 | 2 | BOUT | BOLT | BOLZEN | | |
| 16 | 009090 | 2 | TRILLINGDEMPEP | DAMPER | DÄMPFER | | |
| 17 | 010706 | 2 | RING | WASHER | SCHEIBE | | |
| 18* | 021361 | 3 | MOER | NUT | MUTTER | | |
| 19 | 022595 | 1 | DOCUMENTKOKER | DOCUMENT CASING | DOKUMENT RÖHRE | | |
| 20 | 029806 | 23 | BOLK.FLENSSCH. | FLANGED HEX.S.BUTTON HEAD | LINSEN-FL.KOPFSCHR. M. INNENSECHSK. | | |
| 21 | 033715 | 3 | GASVEER | GAS SPRING | GASFEDER | | |
| 22 | 986-1067 | 1 | KAP | COVER | KAPPE | | |
| 23 | 986-1074 | 1 | KAP | COVER | KAPPE | | |
| 24 | 986-1604 | 1 | KAP | COVER | KAPPE | | |
| 25 | 986-1606 | 1 | KAP | COVER | KAPPE | | |
| 26 | 986-1634 | 1 | KAP | COVER | KAPPE | | |
| 27 | 986-1635 | 1 | KAP | COVER | KAPPE | | |
| 28 | 986-1651 | 2 | BEUGEL | BRACKET | HALTERUNG | | |
| 29* | 986-1662 | 1 | GRONDVANGKAP | HOOD | KAPPE | | |
| 30 | 986-1663 | 1 | KAP | COVER | KAPPE | | |

§3. Opties - Options - Optionen



Imants® BV
Turnhoutseweg 29
5541 NV Reusel
+31 (0)497 642 433
+31 (0)497 643 205
www.imants.com
info@imants.nl